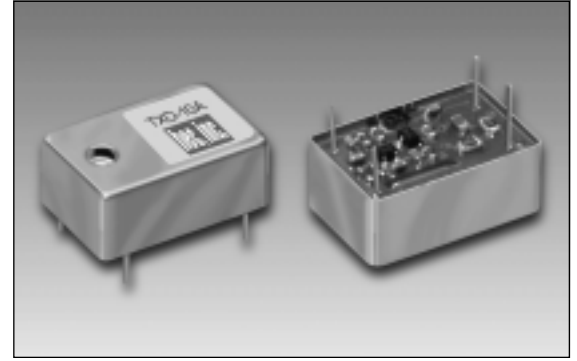


HE-TXO-10A/B TEMPERATURE COMPENSATED OSCILLATOR - 14 PIN



The HE-TXO-10A is a TCXO (Temperature Compensated Crystal Oscillator) featuring a tight stability over a wide temperature range. The internal trimmer is a standard feature in the HE-TXO-10A series, which ensures that the TCXO is tuned precisely on to the frequency. In a compact DIL 14 pin package, this TCXO is ideal for many applications including wireless communication equipment.



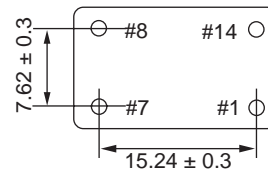
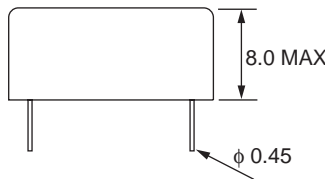
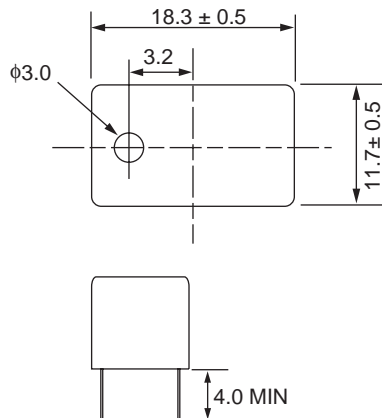
FEATURES:

- Highly stable output over wide temperature range
- Wide variety of output logic (CMOS, TTL, or Clipped Sinewave)
- Industry standard package and lead spacing
- Voltage Control Function Optional

ELECTRICAL SPECIFICATIONS

PARAMETERS	CONDITIONS	SPECIFICATIONS				UNIT
		HE-TXO-10A	HE-TXO-10B	HE-VTXO-10A	HE-VTXO-10B	
TYPE		HE-TXO-10A	HE-TXO-10B	HE-VTXO-10A	HE-VTXO-10B	
FREQUENCY RANGE		9.600~45.000		9.600 ~ 45.000		MHz
OPERATING TEMP. RANGE		0°C ~ +50°C / -30°C ~ +75°C (-40°C ~ +85°C option)				°C
STORAGE TEMP. RANGE		-40°C ~ +85°C (-55°C ~ +105°C option)				°C
FREQUENCY TOLERANCE	@ 25°C	± 0.5		± 0.5		PPM
FREQUENCY STABILITY		± 1.0 / ± 1.5 / ±2.0 / ±2.5 ~ ±5.0				PPM
SUPPLY VOLTAGE		5.0 ± 0.5V DC (+5±5%) // 3.3V Optional				V
SUPPLY CURRENT		2.0 Max. 1.5 Max. (3.3V)	25 Typ.	2.0 Max. 1.5 Max. (3.3V)	25 Typ.	mA
CONTROL VOLTAGE	HE-VTXO-10A/B	+2.5V ± 2V DC // +1.5V ± 1V DC for 3.3V				VDC
OUTPUT LEVEL		1 Vp-p min. 0.7 Vp-p (3.3V)	HCMOS/TTL	1 Vp-p min. 0.7 Vp-p (3.3V)	HCMOS/TTL	
OUTPUT LOAD		10KΩ / 20KΩ 10 pF / 5pF	2 TTL 15pF (CMOS)	10KΩ / 20KΩ 10 pF / 5pF	2 TTL 15pF (CMOS)	
AGING	Per Year @ 25°C	± 1.0		± 1.0		PPM
FREQUENCY ADJUSTMENT	Internal Trimmer	± 3.0 Min.		± 3.0 Min.		PPM
VOLTAGE CONTROL RANGE	@ 2.5V ± 2.0V	N/A		± 8.0 Min.		PPM

MECHANICAL DRAWING



Pin Connections:
 #1: N.C. or Vcont
 #7: GND or Case
 #8: Output
 #14: Vcc